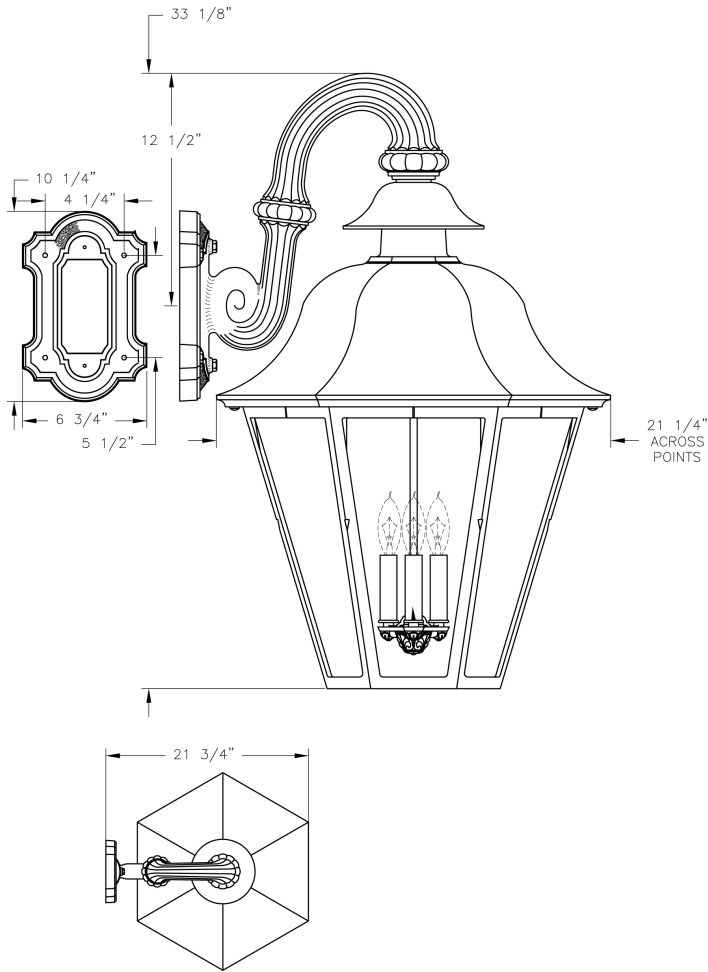


Grande Manor Wall Mount (B61FRM) Specification Sheet

| | | |
|---------------|--------------|-----------------------|
| Project Name: | Location: | MFG: Philips Lighting |
| Fixture Type: | Catalog No.: | Qty: |



Ordering Guide

Example: B61FRM ABS A C3

| Product Code | B61FRM | Grande Manor Wall Mount |
|--------------------|--|--|
| Finish | ABS ACP ARD ASI BLK BRN BRZ FGN GRA IRN RBN SRT VBZ VCP VGN VTC WBZ WHT | Antique Brass Antique Copper Antique Red Antique Silver Black Brown Bronze Forest Green Granite Ironstone Rustic Bronze Shadow Rust Verde Bronze Verde Copper Verde Vintage Copper Weathered Bronze White |
| Panel/Globe | A C E B M Q D P | Clear Acrylic (standard) Clear Seeded Acrylic Clear Textured Acrylic Opal Acrylic Opal Polycarbonate Prismatic Polycarbonate Bronze Tone Acrylic Clear Polycarbonate |
| Lamping | C3 C4 D | B1-3 light cluster B1-4 light cluster Medium Base |

Specifications

CONSTRUCTION:

1 Door and 5 cage panels. Painted metal covers and two (2) piece painted metal body. Cast Aluminum "S" fluted bracket arm. Cast aluminum hex cage with open bottom. Cast aluminum hex roof secured with thumbscrews.

FINISH:

Resilient TGIC thermoset polyester powdercoat paint is electrostatically applied to every fixture. Specially formulated for Philips Outdoor Lighting, it provides UV protection, and the highest temperature rating in the industry. In addition to the standard color choices shown, a spectrum of custom colors is available.

PANELS/LENS/GLOBE:

Set of 6 Clear Acrylic (CA) panels (standard). See lenses for available options.

LAMPING:

B1-3 light candelabra (C3) or B1-4 light candelabra (C4), 25W max per candelabra. Or medium base socket (D), 100W max. Lamp(s) not included.

ELECTRICAL ASSEMBLY:

Fixture is pre-wired with 18 AWG black, white, and ground wires. Lantern will be prewired and tested. All electrical components are ETL listed.

MOUNTING:

See template for dimensions & mounting instructions.

Grande Manor Wall Mount (B61FRM) Specification Sheet

| | | |
|---------------|--------------|-----------------------|
| Project Name: | Location: | MFG: Philips Lighting |
| Fixture Type: | Catalog No.: | Qty: |

WARRANTY:

Lifetime limited warranty.

CERTIFICATIONS:

ETL Listed to U.S. safety standards for wet locations. cETL Listed to Canadian safety standards for wet locations.

Height:

33 1/8"

Width:

21 1/4"

Projection:

21 3/4"

Top to Outlet:

12 1/2"

Max. Weight:

32.5 lb.